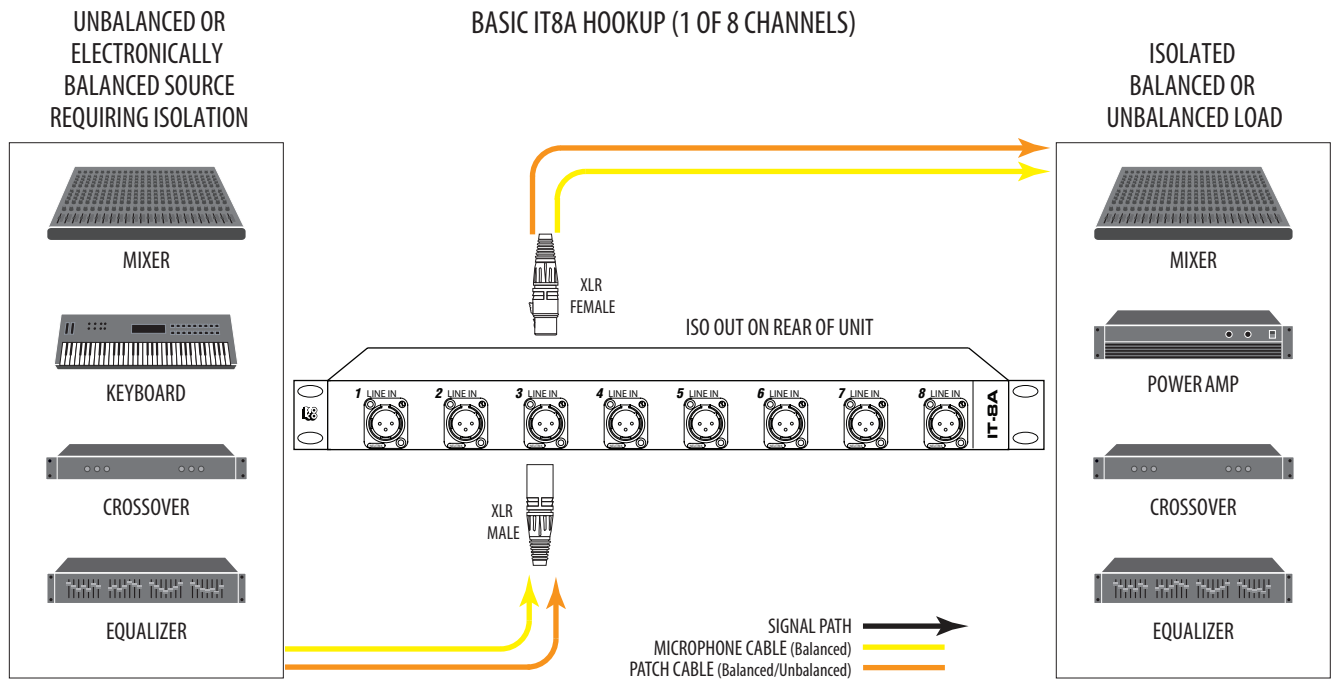


APPLICATION INFORMATION



**CONTROLS:**

**LINE IN:**

Female 3-pin XLR-type connector accepts signal from low-impedance (0 ohm nominal) line-level source. Input impedance (with 600 ohm load on ISO OUT): approx. 680 ohm.

**ISO OUT:**

Male 3-pin XLR-type connector provides floating transformer-isolated low-impedance output to feed line-level input. Recommended load impedance: 600 ohm.

**GND/LIFT:**

GND position connects pin 1 of LINE IN to pin 1 of ISO OUT. LIFT position “floats” ISO OUT. Used to reduce hum and buzz by eliminating ground loops and providing proper grounding for various conditions.

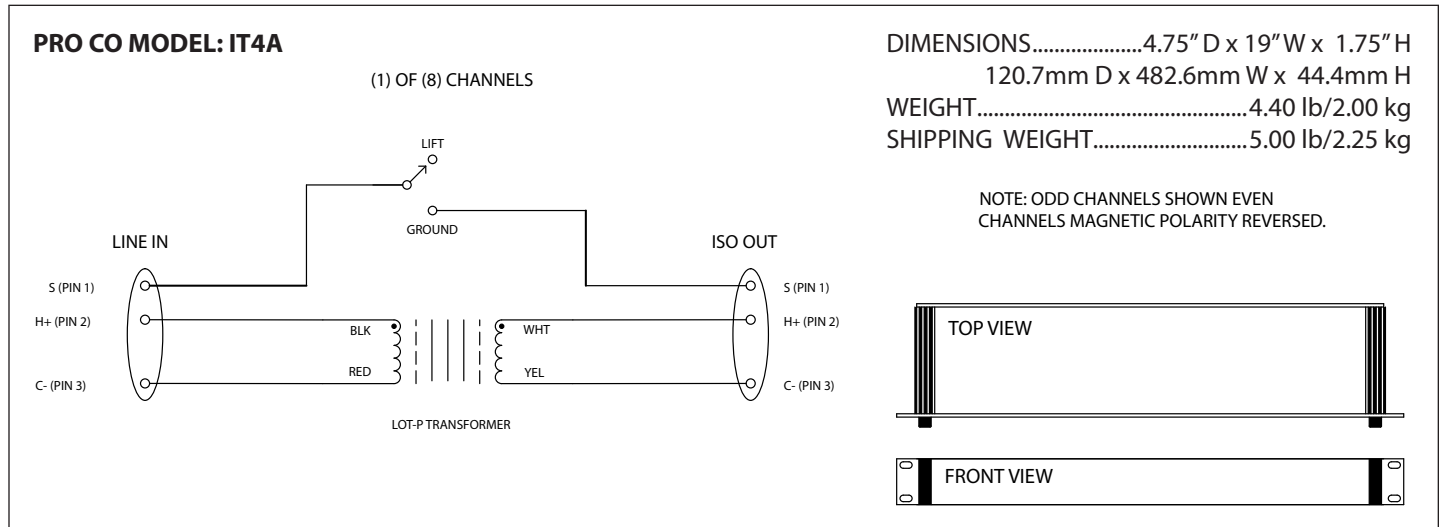
**NOTES:**

- For safety reasons all equipment should be equipped with 3-wire AC power cords and plugged into properly grounded receptacles.**

If all mixers are grounded properly, GND/LIFT switches should be set in the LIFT position for minimum hum and buzz. If this setting does not minimize hum and buzz, it may be indicative of poor grounding quality or improperly wired AC receptacles. Such conditions may be hazardous and should be investigated.

If a GND/LIFT switch seems non-functional, check the wiring of all mic cables plugged into the unit. Cables with a jumper between pin 1 and the connector shell can defeat the GND/LIFT switches.

**CIRCUIT DIAGRAM:**



**Other TradeTools™ Products from Pro Co**

- AV1B Audio/Video Interface Unit
- AVP1 Wallplate Format Audio/Video Interface Unit
- AVP1V Wallplate Format Audio/Video Interface Unit with Input Level Control
- CB1 Direct Box
- DB1 Professional Direct Box
- DB2 Professional Stereo Direct Box
- DB4A Rackmount Quad Direct Box
- DBA1 Professional Active Direct Box
- HJ4P Professional Stereo headphone Junction Box
- HJ6 Headphone Junction Box
- iFace Portable Audio Player Interface
- iGate Universal Audio Gateway
- iPlate Wallplate Format Portable Audio Player Interface
- iRack Rackmount Portable Audio Player Interface

- IT1 Isolation Transformer Unit
  - IT4A Rackmount Quad Isolation Transformer Unit
  - IT8A Rackmount 8-ch. Isolation Transformer Unit
  - LS82 Rackmount 8-ch. 1:2 Line Level Splitter
  - MC2 Microphone Combiner
  - MS2 1:2 Microphone Splitter
  - MS3 1:3 Microphone Splitter
  - MS42A Rackmount Quad 1:2 Microphone Splitter
  - MS43A Rackmount Quad 1:3 Microphone Splitter
  - MS82 Rackmount 8-ch. 1:2 Microphone Splitter
  - MS82P Rackmount 8-ch. 1:2 Phantom Power Microphone Splitter
  - MS83 Rackmount 8-ch. 1:3 Microphone Splitter
  - MS83P Rackmount 8-ch. 1:3 Phantom Power Microphone Splitter
- ... plus our full line of audio cabling, snakes!**



Pro Co Sound  
225 Parsons Street | Kalamazoo, MI 49007  
800-253-7360

» [www.procosound.com](http://www.procosound.com)