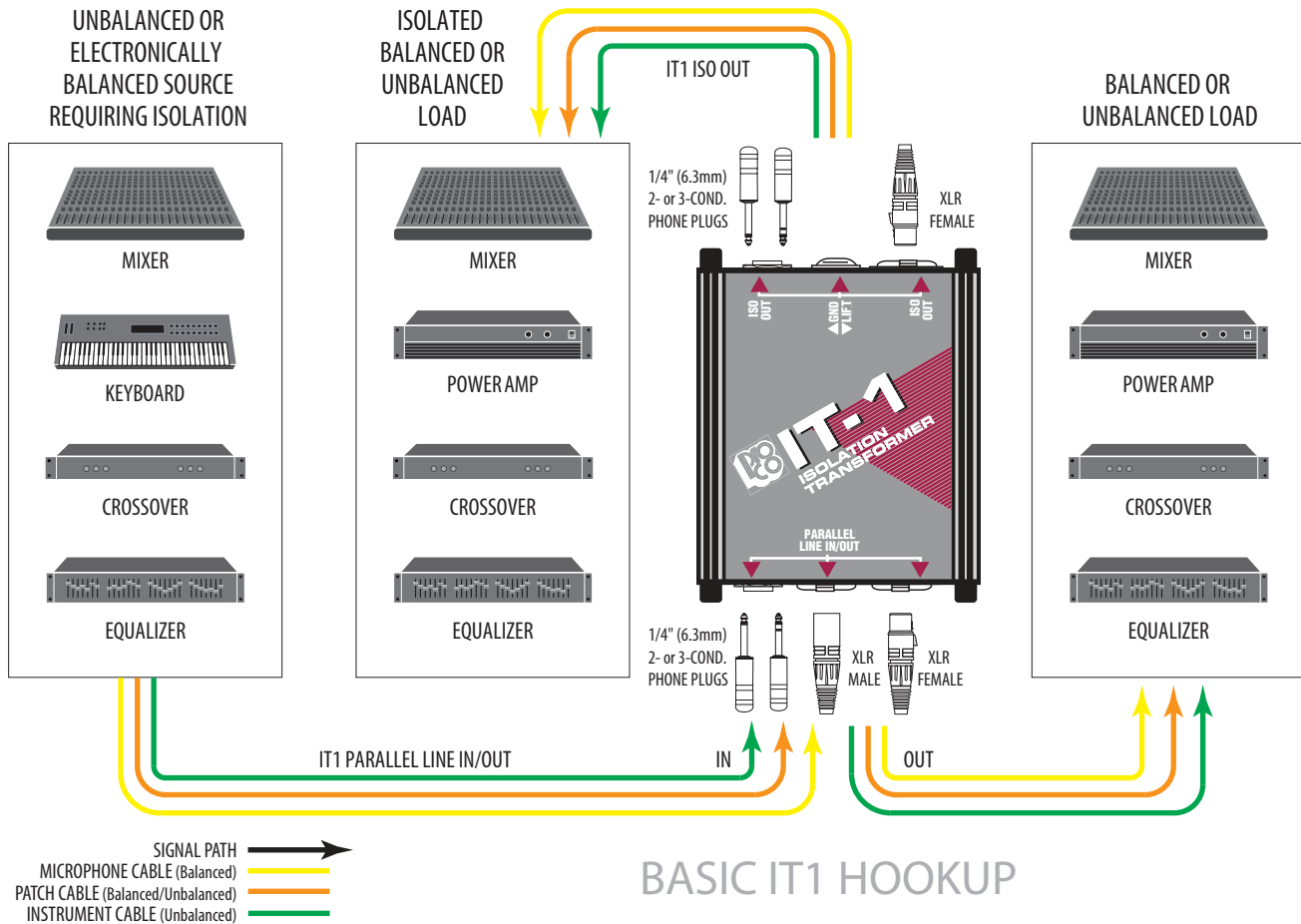


APPLICATION INFORMATION



BASIC IT1 HOOKUP

CONTROLS:

PARALLEL LINE IN/OUT:

Male and female 3-pin XLR-type connectors wired in parallel to two 3-conductor 1/4" (6.3mm) phone jacks accepts signal from low-impedance (0 ohm nominal) line-level source to provide simple connection and loop through for any combination of XLR connectors and 2- or 3-conductor phone plugs. Input impedance (with 600 ohm load on ISO OUT): approx. 680 ohm.

ISO OUT:

Male 3-pin XLR-type connector or 3-conductor 1/4" (6.3mm) phone jack provides floating transformer-isolated low-impedance output to feed line-level input. Recommended load impedance: 600 ohm.

GND/LIFT:

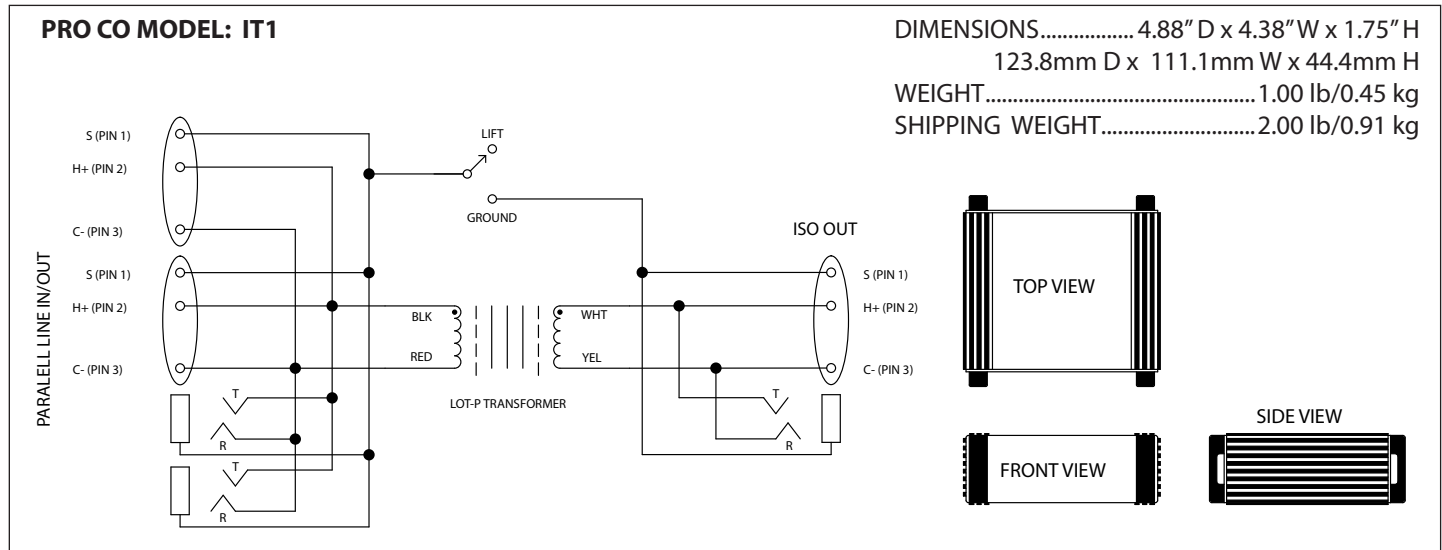
GND position connects pin 1 (and jack sleeve) of LINE IN/OUT to pin 1 (and jack sleeve) of ISO OUT. LIFT position "floats" ISO OUT. Used to reduce hum and buzz by eliminating ground loops and providing proper grounding for various conditions.

NOTES ON GROUND LIFT SWITCH:

1. GND/LIFT switch settings assume the mixer is also the central ground reference point for the system. For safety reasons all equipment should be equipped with 3-wire AC power cords and plugged into properly grounded receptacles. Use of the GND/LIFT switch should minimize hum and buzz.

If GND/LIFT switch seems non-functional, check wiring of cable plugged into the LO-Z OUTPUT. A cable with a jumper between pin 1 and the connector shell will defeat the GND/LIFT switch.

CIRCUIT DIAGRAM:



Other TradeTools™ Products from Pro Co

AV1B Audio/Video Interface Unit
 AVP1 Wallplate Format Audio/Video Interface Unit
 AVP1V Wallplate Format Audio/Video Interface Unit with Input Level Control
 DB1 Professional Direct Box
 DB2 Professional Stereo Direct Box
 DB4A Rackmount Quad Direct Box
 DBA1 Professional Active Direct Box
 HJ4P Professional Stereo headphone Junction Box
 HJ6 Headphone Junction Box
 iFace Portable Audio Player Interface
 iGate Universal Audio Gateway
 iPlate Wallplate Format Portable Audio Player Interface
 iRack Rackmount Portable Audio Player Interface

IT1 Isolation Transformer Unit
 IT4A Rackmount Quad Isolation Transformer Unit
 IT8A Rackmount 8-ch. Isolation Transformer Unit
 LS82 Rackmount 8-ch. 1:2 Line Level Splitter
 MC2 Microphone Combiner
 MS2 1:2 Microphone Splitter
 MS3 1:3 Microphone Splitter
 MS42A Rackmount Quad 1:2 Microphone Splitter
 MS43A Rackmount Quad 1:3 Microphone Splitter
 MS82 Rackmount 8-ch. 1:2 Microphone Splitter
 MS82P Rackmount 8-ch. 1:2 Phantom Power Microphone Splitter
 MS83 Rackmount 8-ch. 1:3 Microphone Splitter
 MS83P Rackmount 8-ch. 1:3 Phantom Power Microphone Splitter
... plus our full line of audio cabling, snakes!